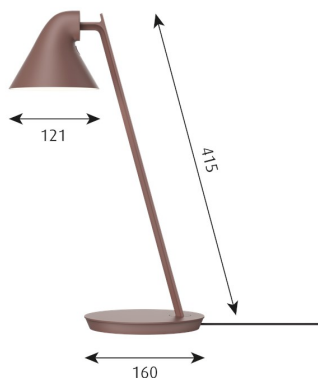

NJP MINI TABLE LAMP

Designed by nendo



Technical specifications

Materials

Base: Steel. Arm and lamp head: Aluminum.

Finishes

White, Black, Light Alu Grey, Rose brown, Soft pink, Petrol blue, and Taupe, powder coated.

Mounting

Mounting: baseplate. Cable type: PVC cord. Cable length: 2,5m.

Stepless dim between 15 and 100%. Timer function: 4 hours/8 hours.

Light control: Switch on head. LED driver: separate, plugs into power outlet.

White cord on White and Soft pink. Black cord on all other colours. For mounting instructions, see download section on the product detail page.

Information

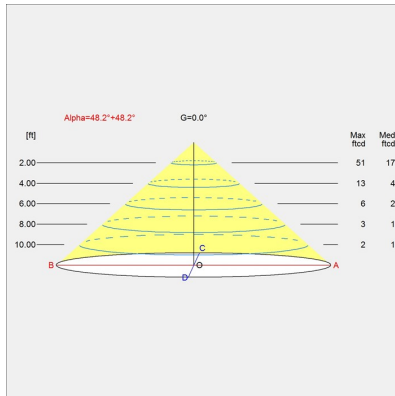
The arm has a stationary angle of 15°. Head can tilt and rotate. The arm can rotate 342° around the base. A single push button located at the lamp head will control the functions on/off and dimming. Turn on/off the light with light fading in/out. Stepless dim of the light to a suitable level between 15 and 100%. Timer function to automatically turn off the light after amount of time, selectable between off/4 hours/8 hours. Function to set a fixed light level each time the lamp is connected to main power. LED driver fitted externally on cord. This product is fitted with an integrated energy-saving LED light source. Should you wish to replace it, please contact Louis Poulsen so we can help you purchase the correct LED Replacement Kit. Please note that LED-replacement should always be carried out by an authorised electrician. For the E-socket product variants, bulbs are not included. LED light source is part of the product.

NJP MINI TABLE LAMP

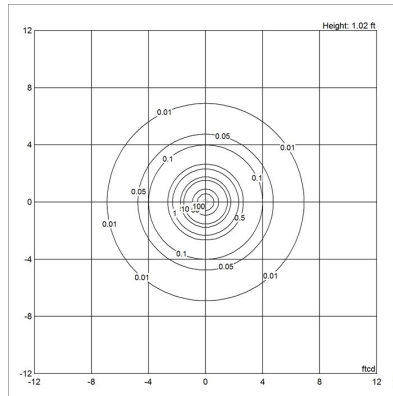
Designed by nendo

Light distribution diagrams

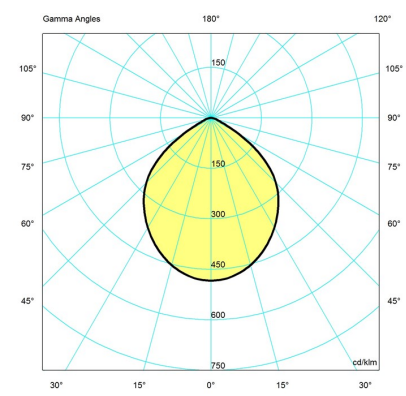
CARTESIAN



ISOLUX



POLAR



Variant Options

For particular variant options, please check our online Product Variants Configurator on the product detail page.

VARIANT NO.	LIGHT SOURCE	VOLTAGE/FRQ	LUMEN	FEATURES	CABLE
5744168122	LED 2700K 10W		418	-	Black cord
5744168135	LED 2700K 10W		418	-	White cord
5744168148	LED 2700K 10W		418	-	Black cord
5744168151	LED 2700K 10W		418	-	Black cord
5744168164	LED 2700K 10W		418	-	White cord
5744168177	LED 2700K 10W		418	-	Black cord
5744168180	LED 2700K 10W		418	-	Black cord

Variants

VARIANT NUMBER	COLOR, RAL	W / H / L (IN) / W (LB)
5744168122	BLK, 617	160 / 415 / 160 IN / 2.9 LB
5744168135	WHT, 062	160 / 415 / 160 IN / 2.9 LB
5744168148	LIGHT ALU GREY, T06	160 / 415 / 160 IN / 2.9 LB
5744168151	ROSE BROWN	160 / 415 / 160 IN / 2.9 LB
5744168164	SOFT PINK	160 / 415 / 160 IN / 2.9 LB
5744168177	TAUPE	160 / 415 / 160 IN / 2.9 LB
5744168180	PETROL BLUE	160 / 415 / 160 IN / 2.9 LB