

Mirto Outdoor

2013

Antonio Citterio



Description

The Mirto Outdoor tables are characterised by their purity of shape, timeless elegance and quality details. Available in numerous sizes and two heights, they come with light die-cast aluminium frames and a variety of tops: in painted aluminium, porcelain stoneware, and glazed lava stone tiles decorated with reproductions of traditional Sicilian lace. This latest version uses a special material for the decoration, obtained by shattering the glass of monitors and discarded electronic instruments, and applying it to the surface of the tiles through an exclusive manufacturing process. Mirto Outdoor is a complete series of outdoor furniture inclusive of chairs, small armchairs, loungers, small tables, consoles and other furnishings.

Technical information

Frame

die-cast aluminium and extrusions with polyurethane painting

Top

aluminium sheet with polyurethane painting, porcelain stoneware or enamelled lava stone on aluminium top

Ferrules

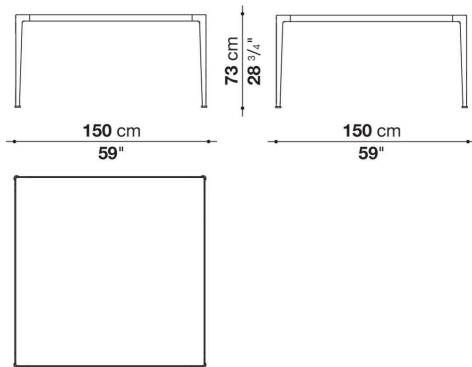
thermoplastic elastomer

Waterproof cover cloth

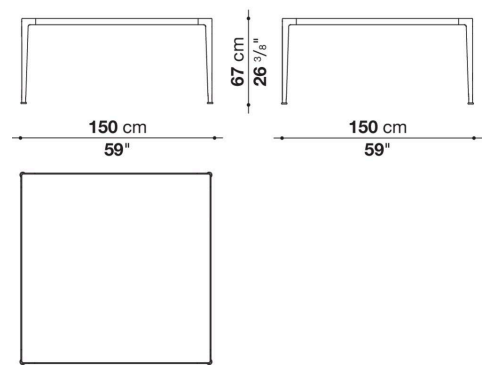
PES fabric coated on one side in PU

Technical drawings

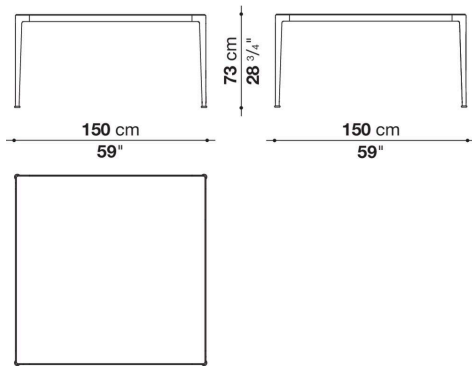
MI150TQ



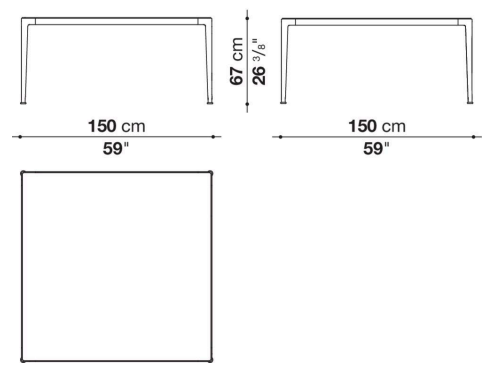
MI150TQ_6



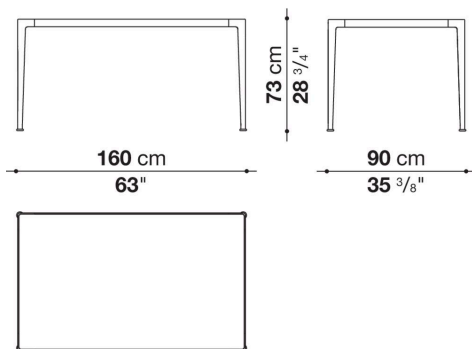
MI150TQG



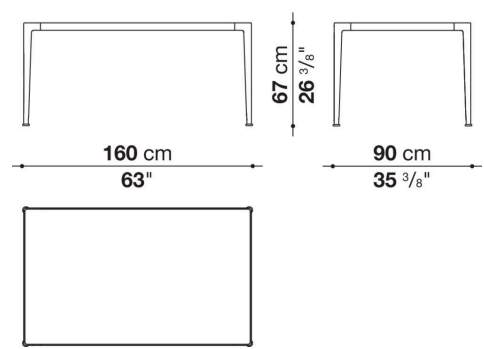
MI150TQG_6



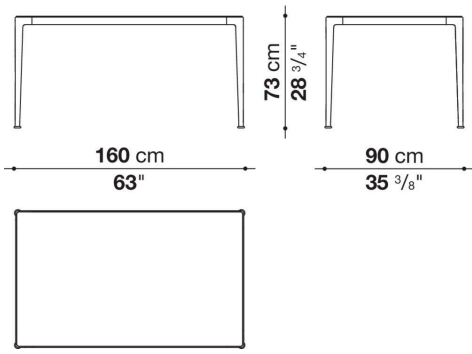
MI160T



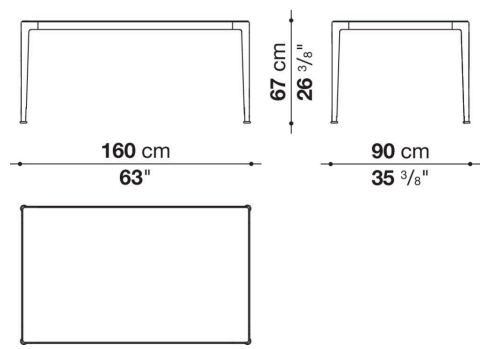
MI160T_6



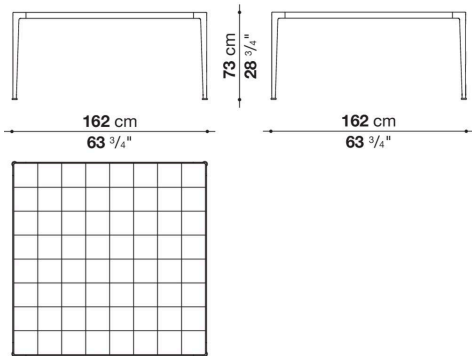
MI160TG



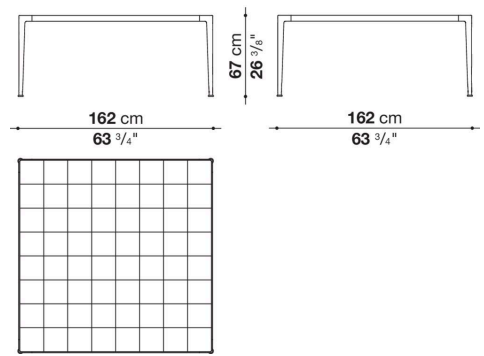
MI160TG_6



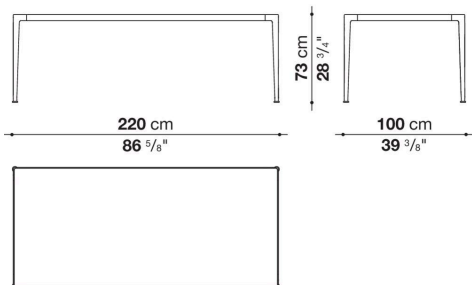
TMO162Q



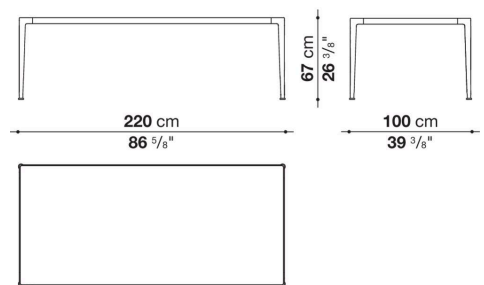
TMO162Q_6



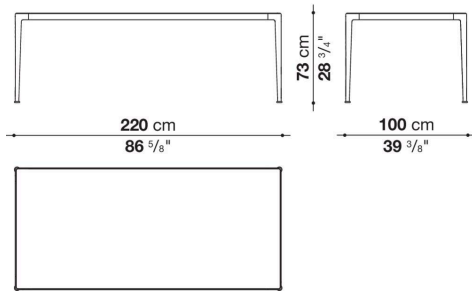
MI220T



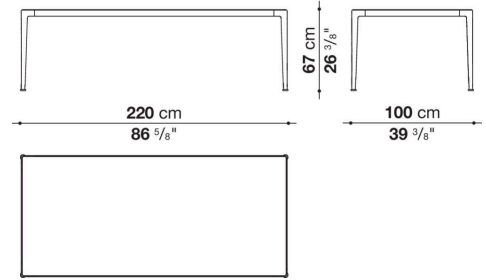
MI220T_6



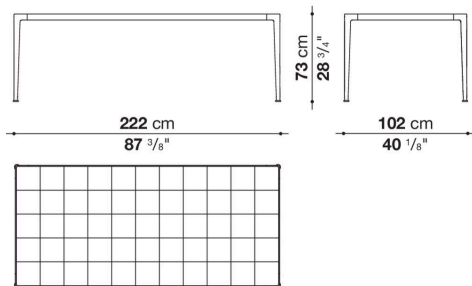
MI220TG



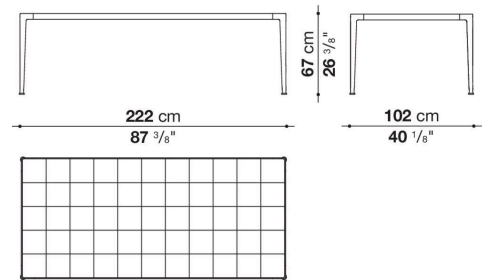
MI220TG_6



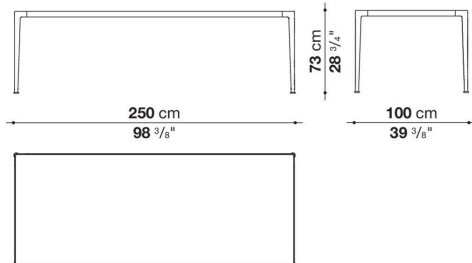
TMO222



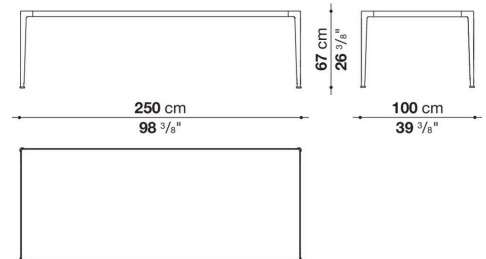
TMO222_6



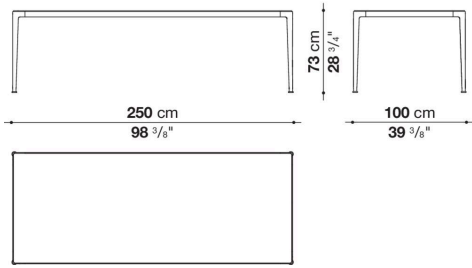
MI250T



MI250T_6



MI250TG



MI250TG_6

