

Michel Club

2015

Antonio Citterio



Description

Michel Club is an evolution of the Michel seating system. Traditional yet contemporary it is made up of in-line sofas, modular elements and ottomans, ensuring a wide range of configurations. Comfortable back cushions with a headrest and additional cushions in various sizes make the seating relaxing and suitable for conversation, but always comfortable and extremely elegant. Michel Club is available in a wide range of fabrics and leathers from the B&B Italia collection. The combination of different textures and colours allows for further customisation.

The height of the feet from ground is 6 cm (2 3/8").

Technical information

Back and armrest internal frame

tubular steel and steel profiles

Back and armrest internal frame upholstery

flexible cold shaped polyurethane foam, polyester fibre, polyester fibre cover

Seat internal frame

tubular steel and steel profiles, multi-layered wood panel, shaped polyurethane

Seat cushion upholstery

shaped polyurethane of different density, sterilized down, polyester fibre cover

Back cushion (C65C-C50C)

down feather and polyurethane section, box style typology

Back cushion with roller (C65CP-C50CP)

down feather, polyurethane section and polyester fibre, box style and roller typology

Support (FA-FB)

visco-elastic polyurethane, polyester fibre cover

Support frame

die-cast aluminium and extrusions

Ferrules

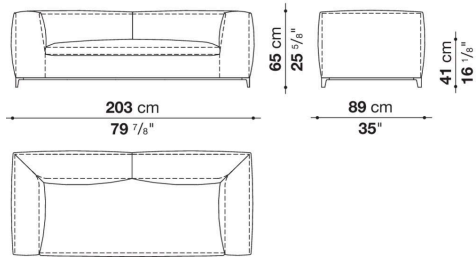
thermoplastic material

Cover

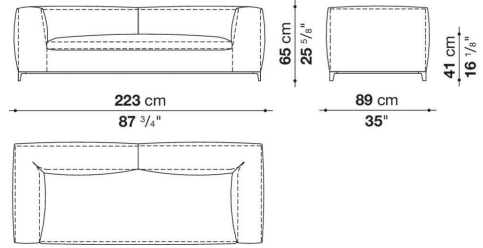
fabric or leather

Technical drawings

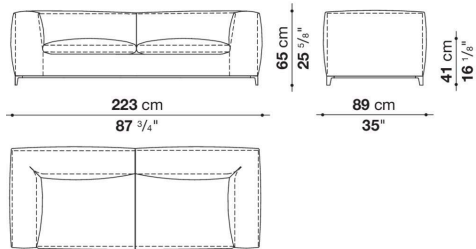
9C206



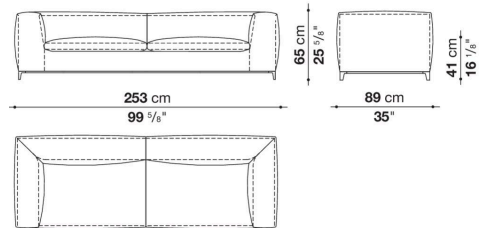
9C226_1



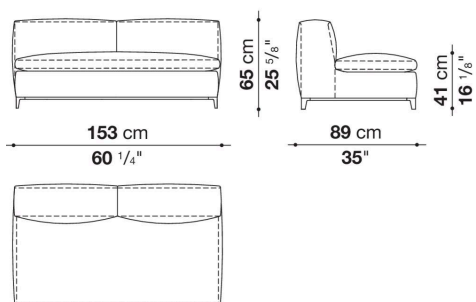
9C226_2



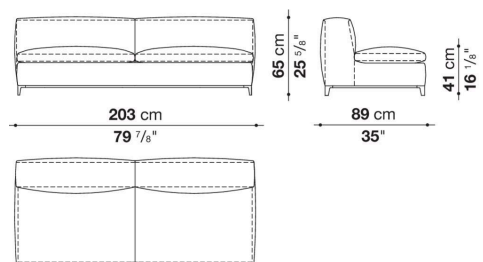
9C256



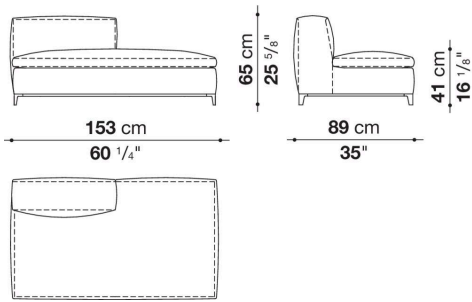
9C156P2



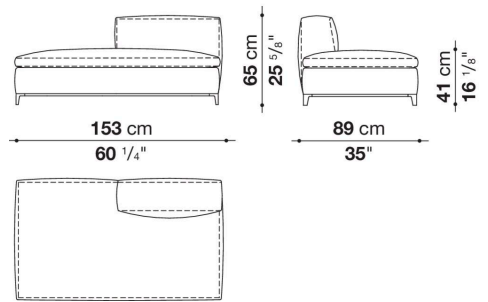
9C206P2



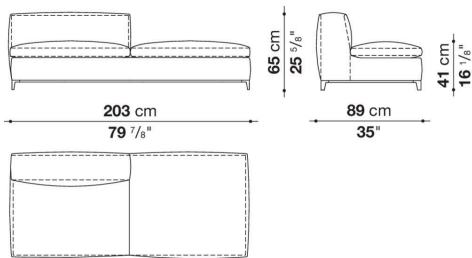
9C156PS



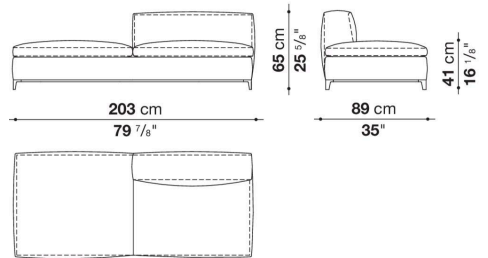
9C156PD



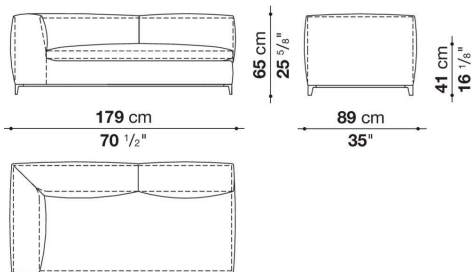
9C206PS



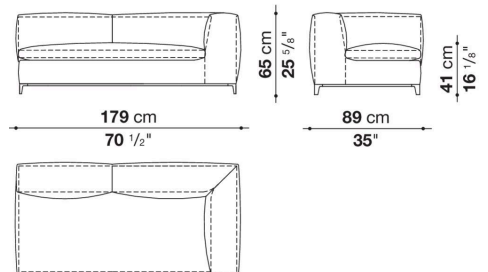
9C206PD



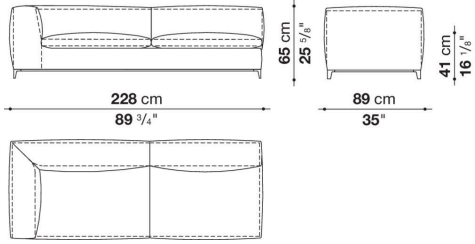
9C182TS



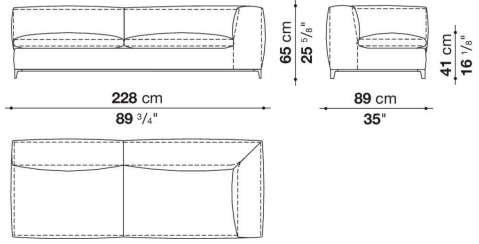
9C182TD



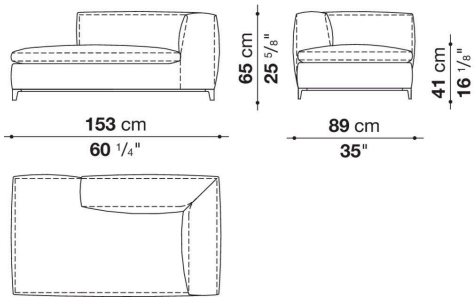
9C231TS



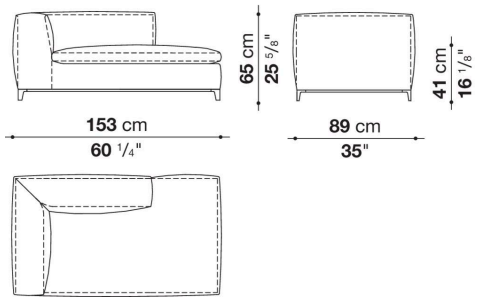
9C231TD



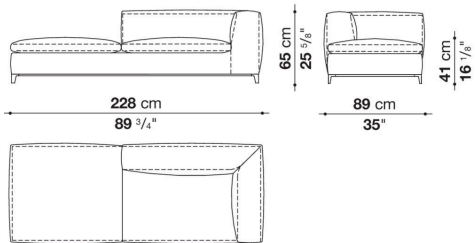
9C156CHS



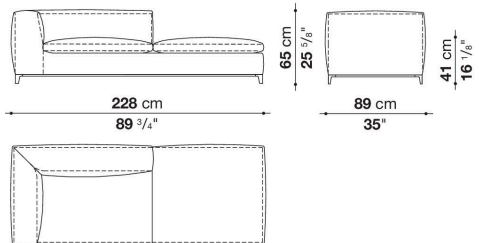
9C156CHD



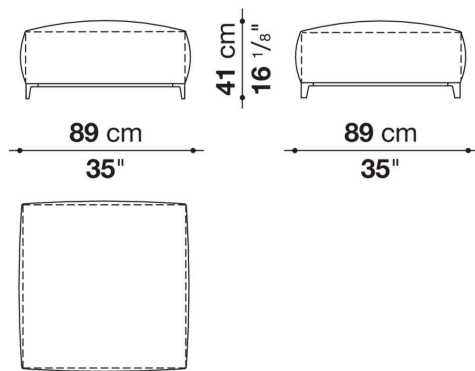
9C231CHS



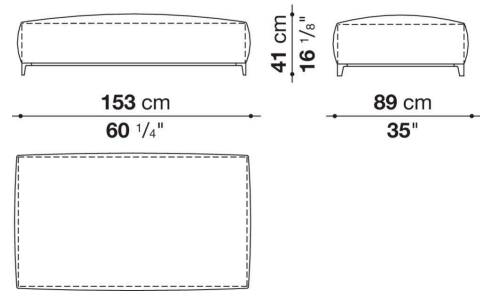
9C231CHD



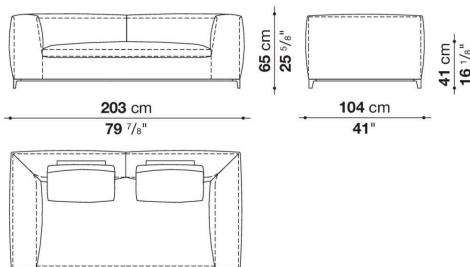
9C91PQ



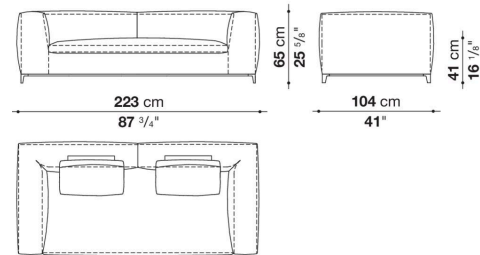
9C156P



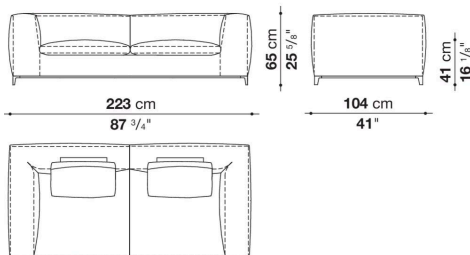
C206



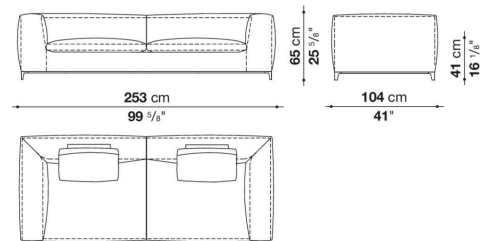
C226_1



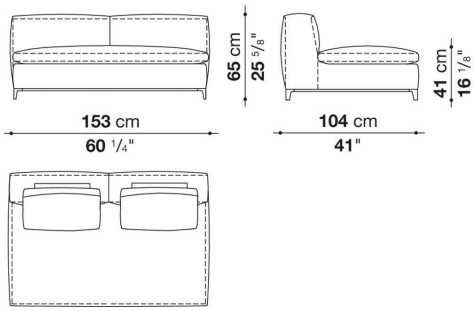
C226_2



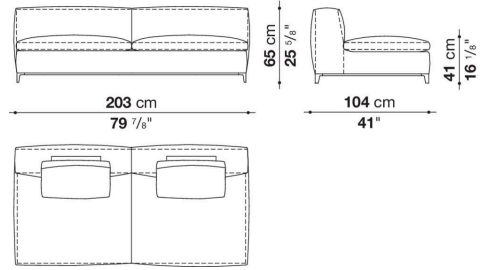
C256



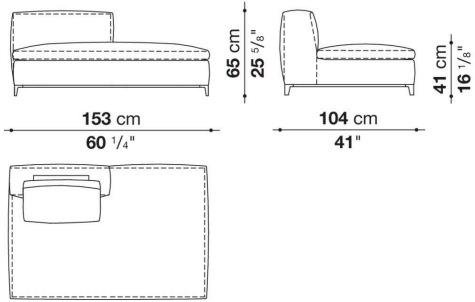
C156P2



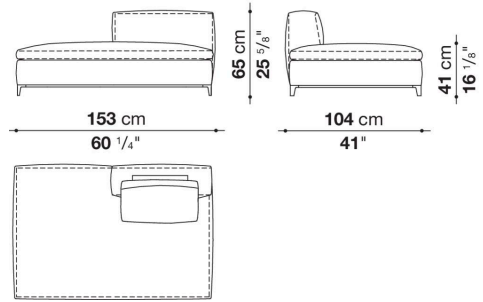
C206P2



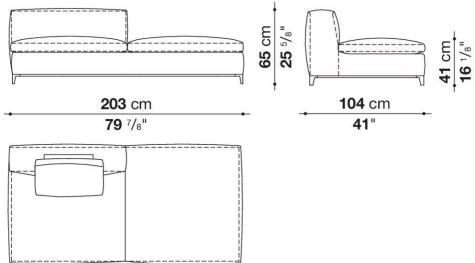
C156PS



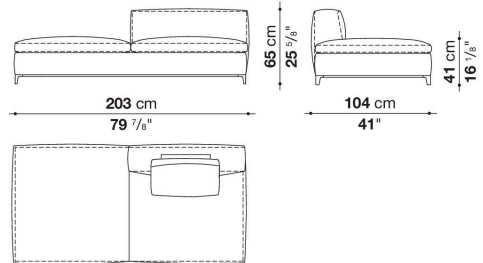
C156PD



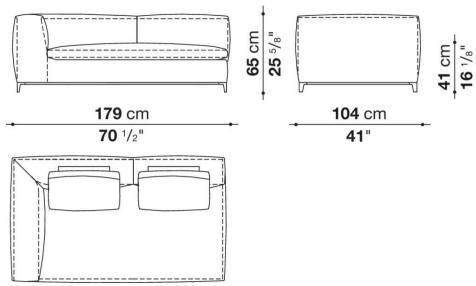
C206PS



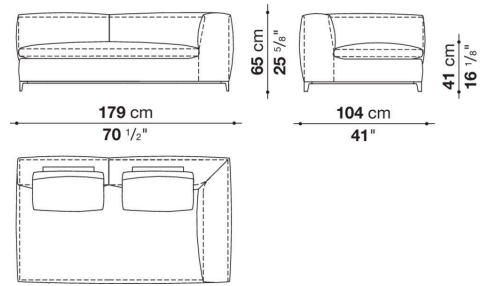
C206PD



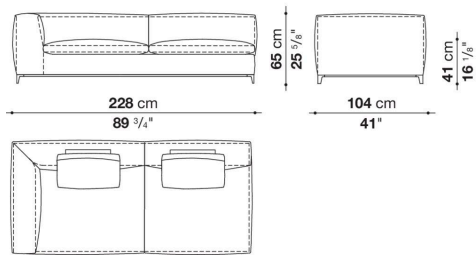
C182TS



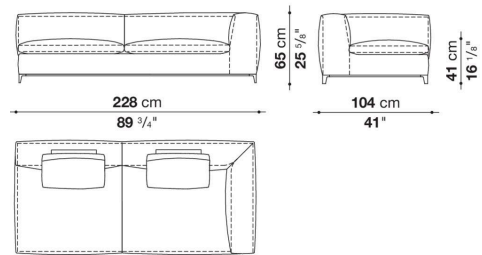
C182TD



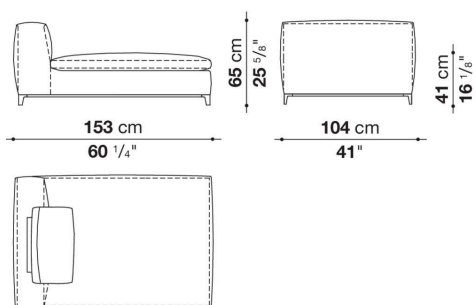
C231TS



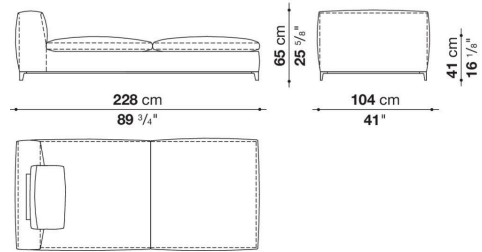
C231TD



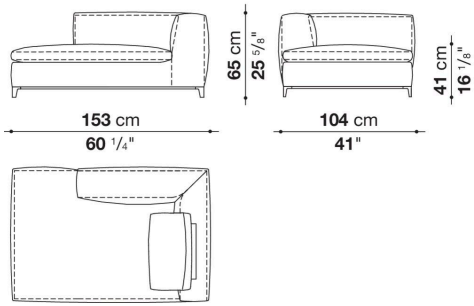
C156CH



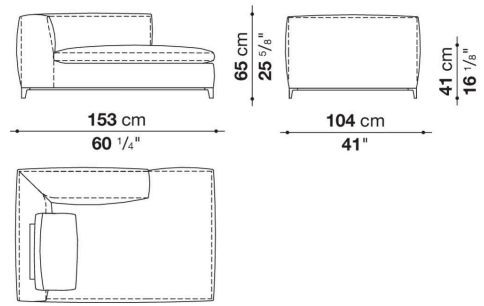
C231CH



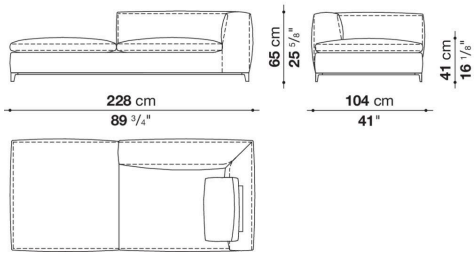
C156CHS



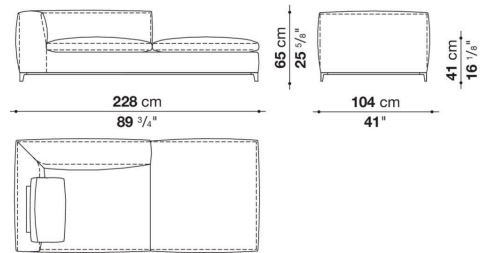
C156CHD



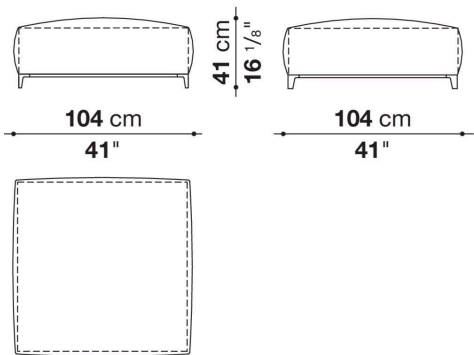
C231CHS



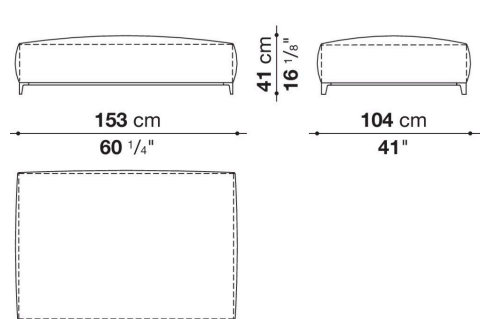
C231CHD



C106PQ



C156P



C156PQ

